



Products

CABINETS

ZION
Communication



Zion Communication
Structured Cabling Cabinets





STRUCTURED CABLING CABINETS

ZION provides leading cabinets, racks, and cable management solutions for telecommunications equipment rooms, data centers, and premise wiring applications. As the demand for system performance increases, it becomes essential to protect and manage cables to maintain system reliability and stability. ZION continues to provide innovative products for managing, protecting and showcasing your network for the lowest cost of ownership.

Cold Aisle Solution	01 – 06
VE cabinet	07 – 11
601S cabinet	12 – 16
603 cabinet	17 – 19
PE cabinet	20 – 24
TE cabinet	25 – 26
SE wall box	27 – 29
EW wall box	30 – 32
SA wall box	33 – 34
SB wall box	35 – 37
SQ wall box	38 – 39
VA wall box	40 – 42
605 data racks	43 – 44
606 open racks	45 – 46
Cabinets fitting	47 – 62



STRUCTURED CABLING CABINETS



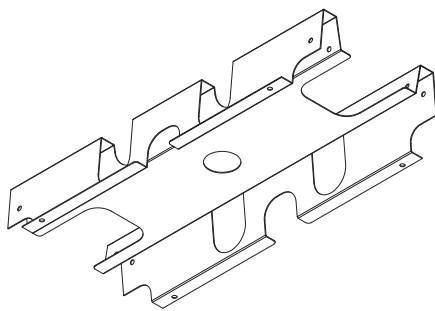
ZION data center cold aisle is composed of double(single) row rack, 2 sets of sliding door, modularized roof ceiling, to be a closed cold aisle in 1.2m width and 2.4m height, the racks are standing face to face and back to back, also the aisle can be modularized.





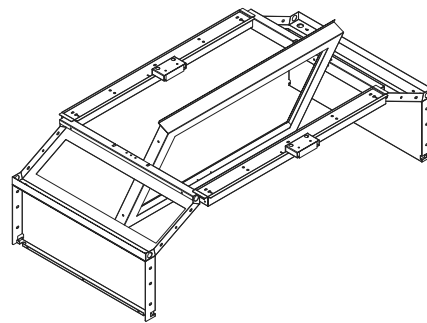
STRUCTURED CABLING COLD AISLE SOLUTION

Top cabling module



- Horizontal cabling on the top of rack.

Aisle roof ceiling module



- Aisle roof ceiling module: The half-rotary open skylight glass connect with the fire linkage function install on the top of the aisle has a good light transmittance, together with rack, sliding door, and aisle top panel to be a safe closed cold aisle, to avoid hot and cold air mixing, significantly reducing room energy consumption.

Data center rack

- Professional rack for data center and cloud computer room, comparable to the top quality cabinet in the world, will highlight the Image temperament of data center.
- The frame of the rack in high strength is bended and welded use 1.5mm thickness high quality cold rolled steel.
- Standard door come with front one side opening and rear double side opening, surface in high-density hexagon vented in 70% air inlet opening. Doors are luxurious anti-theft hinge installation.

Main part:

Model No.	Size
ZVE604256100	600x1000x2000mm
ZVE624256100	600x1200x2000mm
ZVE804256100	800x1000x2000mm
ZVE824256100	800x1200x2000mm

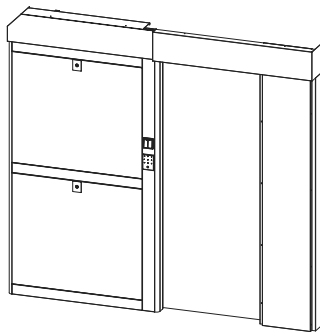




DATA CENTER COLD AISLE SOLUTION

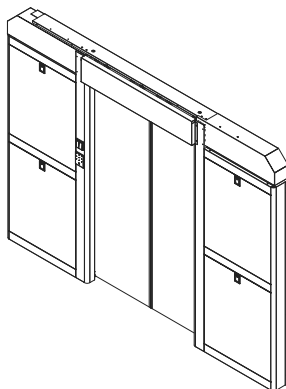
One side sliding door and door control box

- Used for single row rack cold aisle, together with rack, aisle side panel, aisle top panel to be a safe closed cold aisle that avoid hot and cold air mixing, it is easy and safe for data center operator access by passwords or card. Door control box close connect with the rack side then perfect hide behind the glass sliding door, look simple and beautiful



Double side sliding door and door control box

- Used for double row rack cold aisle, together with rack and aisle roof ceiling to be a safe close cold aisle that avoid hot and cold air mixing, it is easy and safe for data center operator access by passwords or card. Door control box close connect with the rack side then perfect hide behind the glass sliding door, look simple and beautiful.

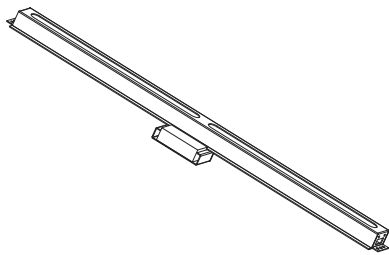




DATA CENTER COLD AISLE SOLUTION

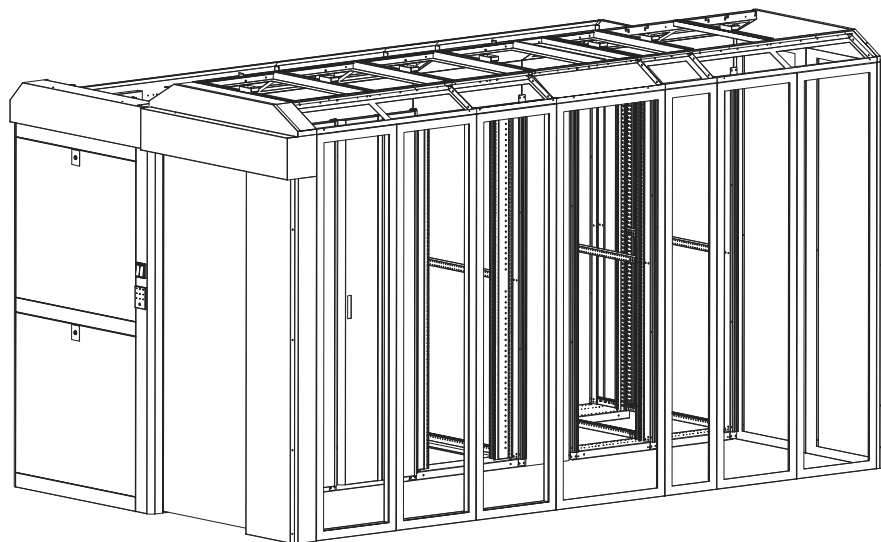
Lighting module

- Used for lighting in the data center.



Single row side close aisle module

- Used for single row cold aisle, with glass and support the aisle top panel. Together with single sliding door, rack, aisle top panel to be a safe close aisle that avoid hot and cold air mixing





VE Cabinets



Standard

- Comply with ANSI/EIA RS-310-D, IEC60297-2, DIN41494;PART1; DIN41494;PART7.

Material

- SPCC Cold Rolled Steel;
- 19" rails: 2.0mm;
- Casters tray:2.0mm; others:1.2mm.

Colour

- VE ■■■■■■ 0■■■:RAL7035.
- VE ■■■■■■ 1■■■:RAL7021.

Loading Capacity

- Static loading:1300KG.



CABINET VE SERVER CABINETS



Feature

- Packaging: VE cabinets could be shipped in disassembled packing, saving transportation and storage cost.
- New appearance design :Side door: split into 2 parts, lockable with square locks.
Front and rear door: pluggable front door and rear doors, with external hinges.
Casters: built-in installation design.
- Frame: duplex profile frames with patent, could be connected by 8 pieces of screws.
- Front and rear doors: "two points" locking design making doors and frames closed tighter, turning angle up to 180 degrees.
- Cable entries on top and bottom: sliding and adjustable cable entries on top and bottom, edges of cable entries are with the design to prevent wires from scratching.
- Fan unit: installed from top outside of cabinet, easy to install and maintain.
- Mounting rails: installation positions of mounting rails could be adjusted quickly. Dedicated channel alignment reserved in internal of cabinets.
- Cabinet structure: patented structure.
- Maximum loading capacity: 1300kg.



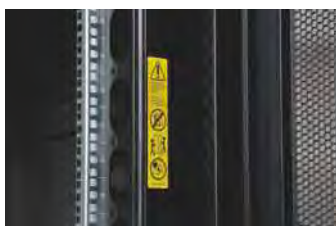
■ 19" mounting angle with scale enables users to precisely locate profile.



■ 19" zinc coated profile with scale.



■ Multi-function cable manger is available in the rear.



■ Safty Warning label.



■ Cable Entrence in the bottom is ajustable.



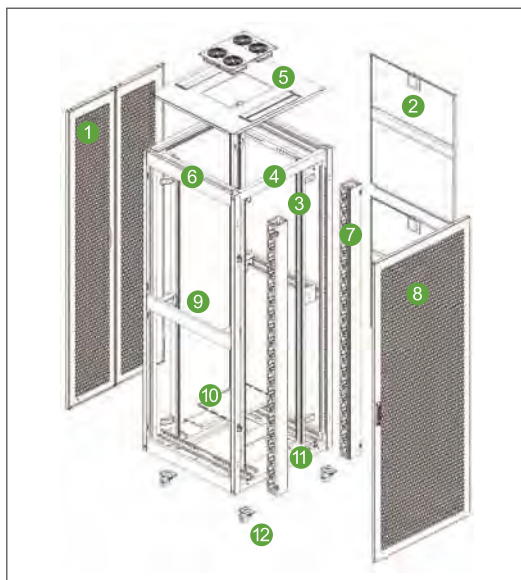
■ Cable manager with cover is available for 800mm width cabinet .



CABINET VE SERVER CABINETS

Main Part

S/N	Specification	Qty	Material	Surface Finish	Remark
1	Rear door	1	----	----	See front&rear door type
2	Side panel	4	SPCC t1.2	Powder coated	
3	19" rails	4	T2.0	zinc-plated	
4	Front beam	2	SPCC t1.5	Powder coated	
5	Top cover	1	SPCC t1.2	Powder coated	
6	Side frame	2	SPCC t1.2	Powder coated	
7	Cable management slot	2	SPCC t1.0	Powder coated	Only used for 800 width cabinet
8	Front door	1	----	----	See front&rear door type
9	Mounting spacer	4	T2.0	zinc-plated	Only used for 800 width cabinet
10	Bottom	1	SPCC t1.0	Powder coated	
11	Caster tray	2	SPCC t2.0	Powder coated	
12	2" heavy duty castor	4	----	----	----
hardware kits with cabinet:					
A	M12 adjustable feet	4	Steel	zinc-plated	Height:100MM
B	M6 screw& nuts	20/40	Steel	zinc-plated	40pcs for over 33U



Ordering Information

ZVE ■ ■ ■ ■ ■ ■ ■ ■ 00

- Definition of color:0-RAL7035; 1-RAL7021
- Definition of rear door:
 - 1-Tempered glass door with striped hole;
 - 4-Sheet steel door with hexagon hole;
 - 5-High-density vented door;
 - 6-High density double opened door with damper.
- Definition of front door:
 - 1-Tempered glass door with striped hole;
 - 4-Sheet steel door with hexagon hole;
 - 5-High-density vented door;
 - 6-High density double opened door with damper.
- Cabinet capacity:(U)
- Cabinet depth:(MM): 6=600;8=800;0=1000;
- Cabinet width:(MM): 6=600;8=800



CABINET VE SERVER CABINETS

Ordering Information

Part Number.	Width (mm)	Depth(D)(mm)	Capacity (U)	Height(H)(mm)	CKD packing parts
ZVE.6624. ■■■. ■00	600	600	24	1200	3
ZVE.6642. ■■■. ■00			42	2000	
ZVE.6824. ■■■. ■00		800	24	1200	
ZVE.6842. ■■■. ■00			42	2000	
ZVE.6042. ■■■. ■00	800	1000	42	2000	4
ZVE.8842. ■■■. ■00		800	42	2000	
ZVE.8042. ■■■. ■00		1000	42	2000	



- Front&Rear Door(type 1)
Tempered glass door
long-handled lock
180° Maximum opening angle;
- Material:Sheet steel 4MM
safety glass
- Surface Finish: Powder coated
- Colour: RAL7035; RAL7021



- Front&Rear Door(type 4)
Sheet steel door with hexagon
hole.Long-handled lock;
180° Maximum opening angle;
- Material:Sheet steel
- Surface Finish: Powder coated
- Colour: RAL7035; RAL7021



- Front&Rear Door(type 5)
High-density vented door;
Slotted surface(SW7 hexagon)
Air inlet opening>67%;
long-handled lock;
180° Maximum opening angle;
- Material:Sheet steel
- Surface Finish: Powder coated
- Colour: RAL7035; RAL7021

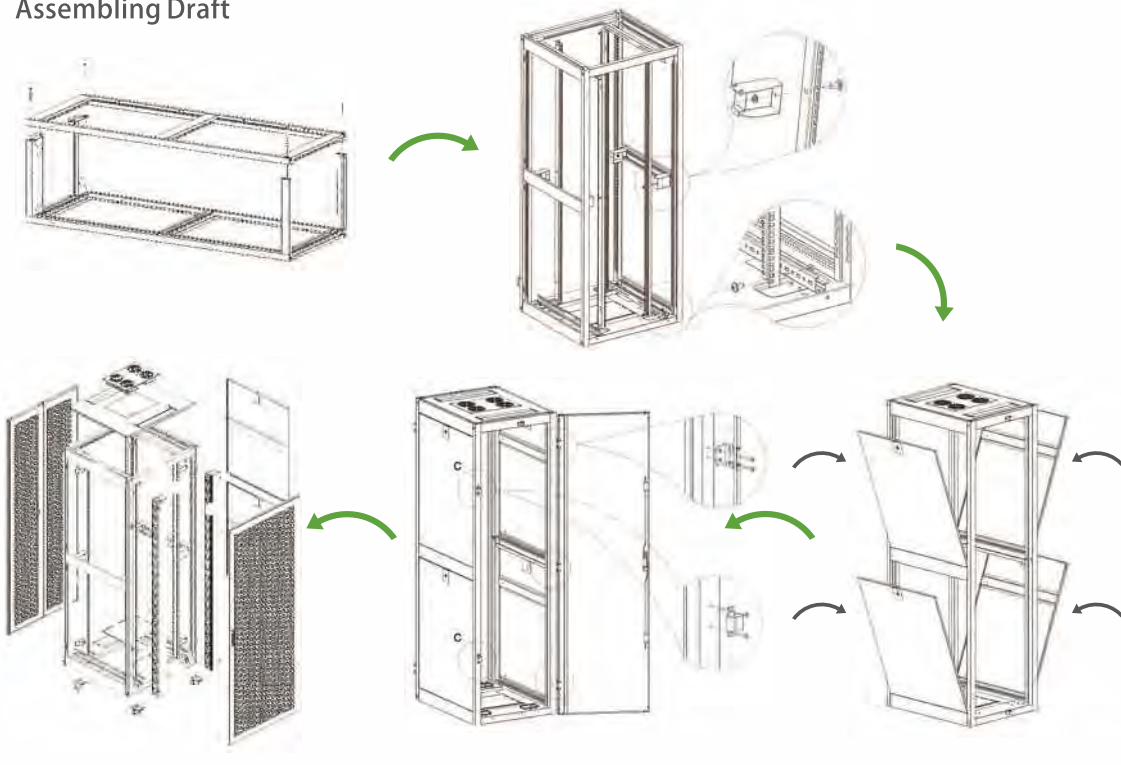


- Front&Rear Door(type 6)
High density double opened damper
(SW7 hexagon) Air inlet opening>67%;
long-handled lock;
180° Maximum opening angle;
- Material:Sheet steel
- Surface Finish: Powder coated
- Colour: RAL7035; RAL7021

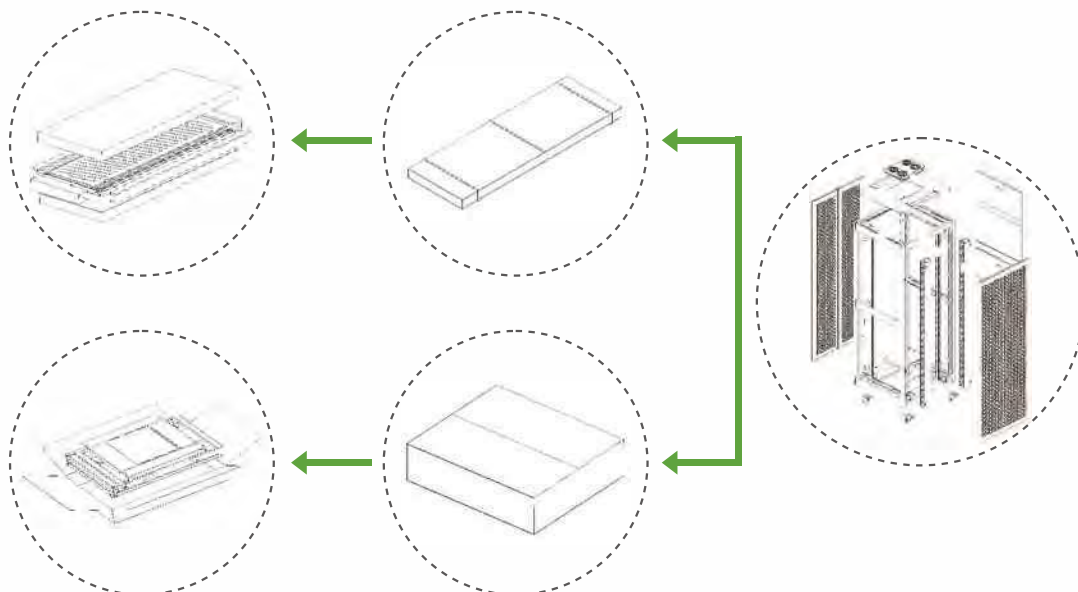


CABINET VE SERVER CABINETS

Assembling Draft



CKD Packing





601S Cabinets



Standard

- Comply with ANSI/EIA RS-310-D, IEC60297-2, DIN41494; PART1: DIN41494;PART7

Material

- SPCC Cold Rolled Steel;
- 19" rails: 2.0mm, side panel:1.0mm others: 1.2mm

Colour

- 601S ■■■■■■ 0 ■■:RAL7035
- 601S ■■■■■■ 1 ■■:RAL9004

Loading Capacity

- Static loading: 800KG

Feature

- Exquisite design with precise dimension and craftsmanship;
- Several styles of front and rear doors options available;
- Adjustable feet and heavy duty castors are available simultaneously;
- Cable entry on the top cover and bottom panel with adjustable sizes ;
- Optional installation of plinth to enable cabinets fixation, under-base cable entry/ventilation;
- Efficient and reliable cabinet connection by buying kit;
- Removable side panels to ease maintain.

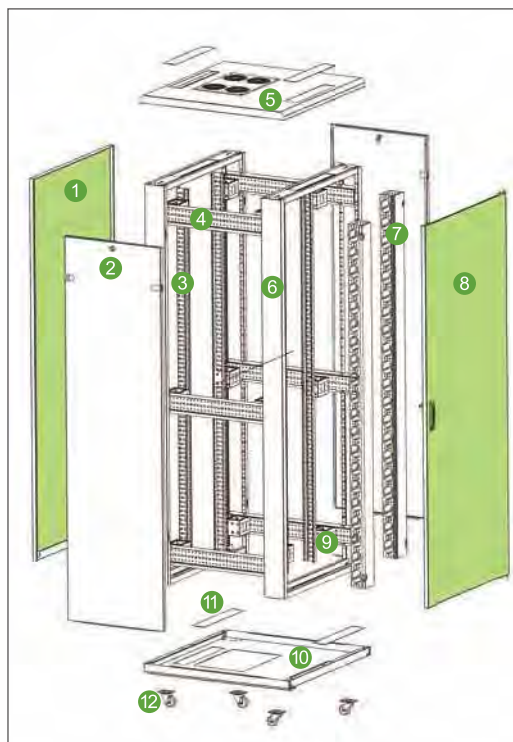


CABINET

601S NETWORK CABINETS

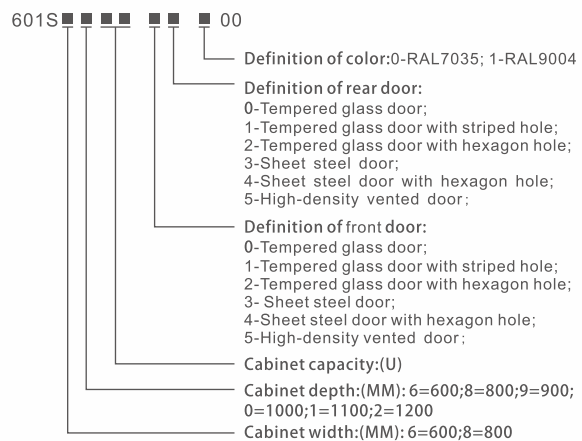
Main Part

S/N	Specification	Qty	Material	Surface Finish	Remark
1	Rear door	1	----	----	See front&rear door type
2	Side panel	2	SPCC t1.0	Powder coated	Small round lock
3	19" rails	4	SPCC t2.0	zinc-plated	
4	Mounting angle	4/6	SPCC t1.2	Powder coated	6pcs for over 33U
5	Top cover	1	SPCC t1.2	Powder coated	
6	Frame	2	SPCC t1.2	Powder coated	
7	Cable management slot	2	SPCC t1.0	Powder coated	Only used for 800 width cabinet
8	Front door	1	----	----	See front&rear door type
9	Mounting spacer	8/12	SPCC t1.2	Powder coated	Only used for 800 width cabinet : 6pcs for over 33U
10	Bottom	1	SPCC t1.2	Powder coated	
11	cable entry panel	4	SPCC t1.2	Powder coated	
12	2" heavy duty castor	4	----	----	----
hardware kits with cabinet:					
A	M12 adjustable feet	4	Steel	Zinc-plated	Height:100MM
B	M6 screw& nuts	20/40	Steel	Zinc-plated	40pcs for over 33U
C	Trox tooling	1	Steel	Zinc-plated	----



- Right-angled frame enables users to easily place the logo.
- Easily connected and removed earth cable available.

Definition Of Code





CABINET

601S NETWORK CABINETS

Specification

Part Number.	Width (mm)	Depth(D) (mm)	Capacity (U)	Height(H) (mm)	CKD packing parts			
601S.6615. ■■■. ■00	600	600	15	800	3			
601S.6620. ■■■. ■00			20	1022				
601S.6624. ■■■. ■00			24	1200				
601S.6629. ■■■. ■00			29	1422				
601S.6633. ■■■. ■00			33	1600				
601S.6638. ■■■. ■00			38	1822				
601S.6642. ■■■. ■00			42	2000				
601S.6647. ■■■. ■00			47	2222				
601S.6815. ■■■. ■00			800	800		15	800	
601S.6820. ■■■. ■00						20	1022	
601S.6824. ■■■. ■00		24				1200		
601S.6829. ■■■. ■00		29				1422		
601S.6833. ■■■. ■00		33				1600		
601S.6838. ■■■. ■00		38				1822		
601S.6842. ■■■. ■00		42				2000		
601S.6847. ■■■. ■00		47				2222		
601S.6938. ■■■. ■00		900				900	38	1822
601S.6942. ■■■. ■00							42	2000
601S.6947. ■■■. ■00			47	2222				
601S.6038. ■■■. ■00		1000	1000	38		1822		
601S.6042. ■■■. ■00	42			2000				
601S.6047. ■■■. ■00	47			2222				
601S.8638. ■■■. ■00	800	600	38	1822				
601S.8642. ■■■. ■00			42	2000				
601S.8647. ■■■. ■00			47	2222				
601S.8838. ■■■. ■00		800	800	38	1822			
601S.8842. ■■■. ■00				42	2000			
601S.8847. ■■■. ■00				47	2222			
601S.8938. ■■■. ■00		900	900	38	1822			
601S.8942. ■■■. ■00				42	2000			
601S.8947. ■■■. ■00				47	2222			
601S.8038. ■■■. ■00		1000	1000	38	1822			
601S.8042. ■■■. ■00				42	2000			
601S.8047. ■■■. ■00				47	2222			



CABINET 601S NETWORK CABINETS



- Front & rear door (type 0)
Tempered glass door.
Small lock;
Reversible right or left handed doors;
Turning angle is over 180 degrees;
- Material:
Sheet steel
5MM safety glass
- Surface Finish: Powder coated
- Color: RAL7035;RAL9004



- Front & rear door (type 1)
Tempered glass door with striped hole.
Gray decoration bar;
Small lock;
Reversible right or left handed doors;
Turning angle is over 180 degrees;
- Material:
Sheet steel
5MM safety glass
- Surface Finish: Powder coated
- Color: RAL7035; RAL9004



- Front & rear door (type 2)
Tempered glass door with net hole.
Gray decoration bar;
Lock with comfort handle;
Reversible right or left handed doors;
Turning angle is over 180 degrees;
- Material:
Sheet steel
5MM safety glass
- Surface Finish: Powder coated
- Color: RAL7035; RAL9004



- Front & rear door (type 3)
Sheet steel door.
Small lock;
Reversible right or left handed doors;
Turning angle is over 180 degrees;
- Material:
Sheet steel
- Surface Finish: Powder coated
- Color: RAL7035; RAL9004



- Front & rear door (type 4)
Sheet steel door with hexagon hole.
Small lock;
Reversible right or left handed doors;
Turning angle is over 180 degrees;
- Material:
Sheet steel
- Surface Finish: Powder coated
- Color: RAL7035; RAL9004

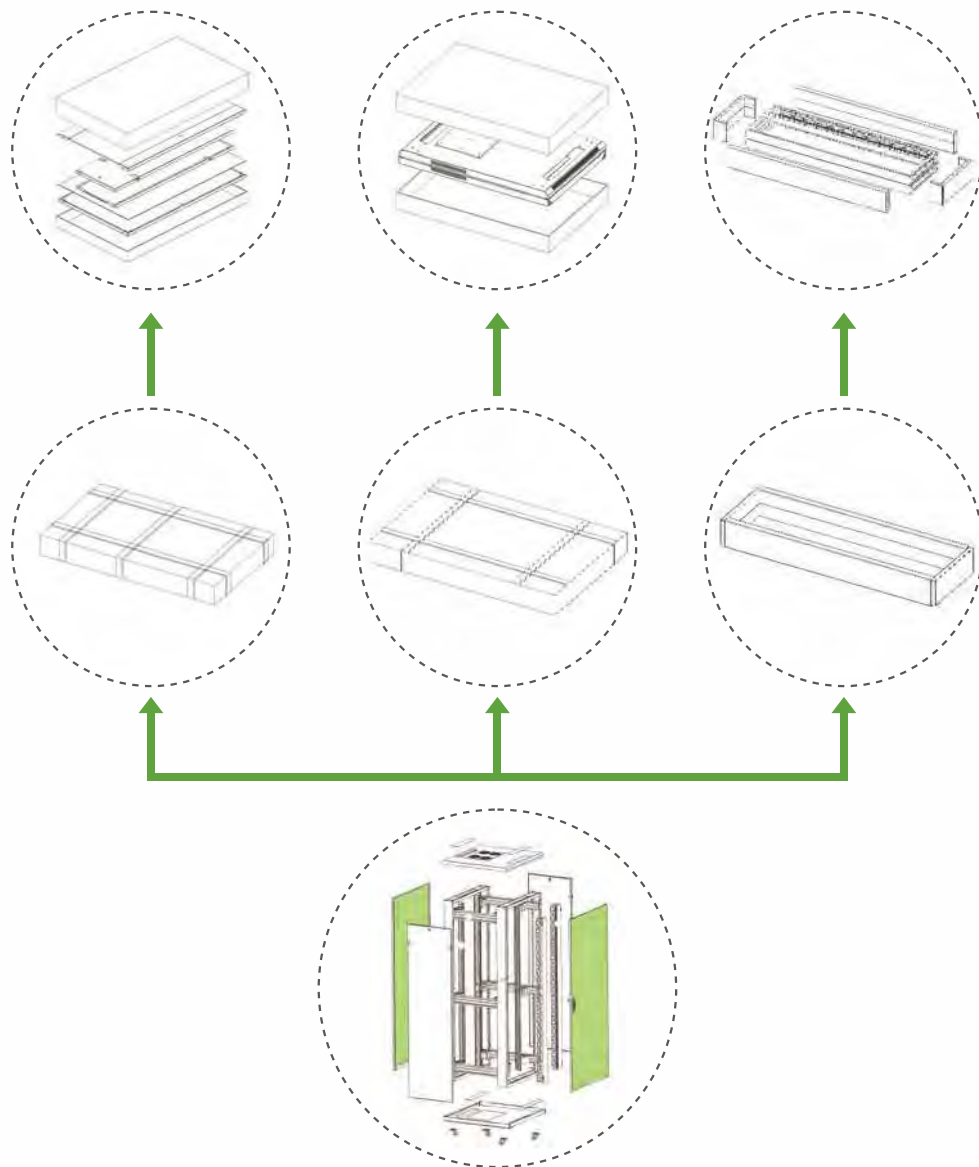


- Front & rear door (type 5)
High-density vented door;
Slotted surface (SW7 hexagon) Air inlet opening>60%;
Lock with comfort handle;
Reversible right or left handed doors;
Turning angle is over 180 degrees;
- Material:Sheet steel
- Surface Finish: Powder coated
- Color: RAL7035; RAL9004



CABINET 601S NETWORK CABINETS

CKD Packing





603 Cabinets



Standard

- Comply with ANSI/EIA RS-310-D, IEC60297-2, DIN41494; PART1; DIN41494; PART7 .

Material

- SPCC Cold Rolled Steel;
- 19" rails: 2.0mm, frame: 1.5mm, others: 1.2mm.

Colour

- 603 ■■■■■■ 0■■■:RAL7035.
- 603 ■■■■■■ 1■■■:RAL9004.

Loading Capacity

- Static loading:1000KG.

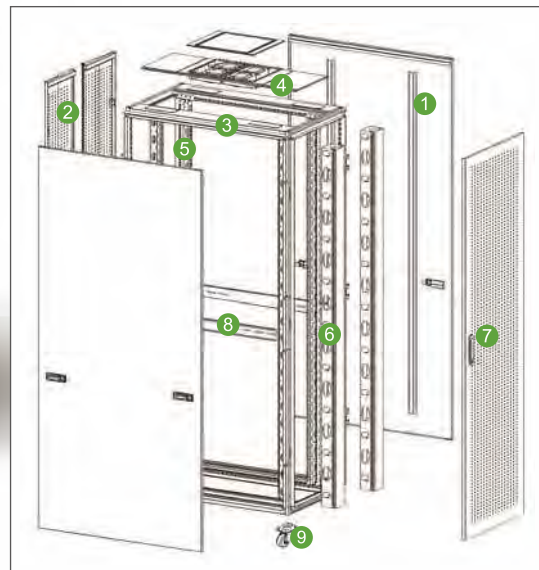


CABINET 603 SERVER CABINETS



Feature

- Reticular high-density vented front door (patent) & rear door for protection, ventilation and reliable operation.
- Exquisite image (patent) with precise dimension and craftsmanship.
- Lockable cable entry on top cover and bottom panel with adjustable sizes.
- Optional plinth enables cabinets to stay in a fixed position while meeting requirements of under-base wiring/ventilation and rat prevention.
- Strong cabinet connection by baying kit (patent).
- Lock with handle.



Main Part

S/N	Specification	Qty	Material	Surface Finish	Remark
1	Side panel	2	SPCC t1.2	Powder coated	
2	Rear door	1	SPCC t1.2	Powder coated	Double high-density vented
3	Frame	1	SPCC t1.5	Powder coated	
4	Top cover	1	SPCC t1.2	Powder coated	----
5	19" rails	4	SPCC t2.0	Powder coated	
6	Cable management slot	2	SPCC t1.0	Powder coated	Only used for width 800mm cabinet
7	Front door	1	SPCC t1.2	Powder coated	High-density vented
8	Mounting plate	2	SPCC t1.5	Powder coated	----
9	2" heavy duty castor	4	----	----	----
A	M12 adjustable feet	4	----	v	----
B	M6 screw& nuts	20	Steel	Color zinc	40pcs for over 33U
C	Trox tooling	1	Steel	Color zinc	----

The 600mm width cabinet can be changed to the 800mm width one, only need to put the connecting panel and 2 cable management slots. Support 19" EIA equipment.



CABINET

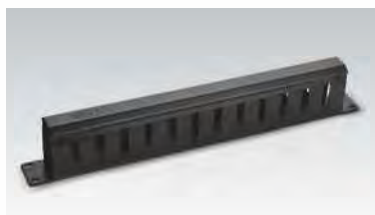
603 SERVER CABINETS

Specification

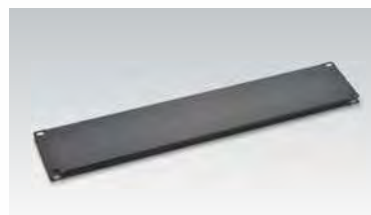
Model No.	Capacity (U)	Width (mm)	Depth(D)(mm)	Height(H)(mm)	Packing dimension W*D*H
603.6633.55.■00	33	600	600	1600	670*670*1700
603.6638.55.■00	38			1800	670*670*1900
603.6642.55.■00	42			2000	670*670*2100
603.6647.55.■00	47			2200	670*670*2300
603.6833.55.■00	33		800	1600	670*870*1700
603.6838.55.■00	38			1800	670*870*1900
603.6842.55.■00	42			2000	670*870*2100
603.6847.55.■00	47			2200	670*870*2300
603.6933.55.■00	33		900	1600	670*970*1700
603.6938.55.■00	38			1800	670*970*1900
603.6942.55.■00	42			2000	670*970*2100
603.6947.55.■00	47			2200	670*970*2300
603.6042.55.■00	42		1000	2000	670*1070*2100
603.6047.55.■00	47			2200	670*1070*2300
603.8642.55.■00	42		800	600	870*670*2100
603.8842.55.■00	42			800	870*870*2100
603.8942.55.■00	42	900		870*970*2100	
603.8042.55.■00	42	1000		870*1070*2100	

Note: Cabinet should not in flat packing.

May Installs The Fitting



Cable management
See page 163



Blanking panel
See page 162



Fan units
See page 157



TC Digital Temperature Unit
See page 155



PDU
See page 153



PE Cabinets



Standard

- Comply with ANSI/EIA RS-310-D, IEC60297-2, DIN41494; PART1; DIN41494; PART7 .

Material

- SPCC Cold Rolled Steel;
- 19" rails: 2.0mm, others: 1.2mm.

Colour

- PE ■■■■■■ 0 ■■:RAL7035.
- PE ■■■■■■ 1 ■■:RAL9004.

Loading Capacity

- Static loading:800KG.



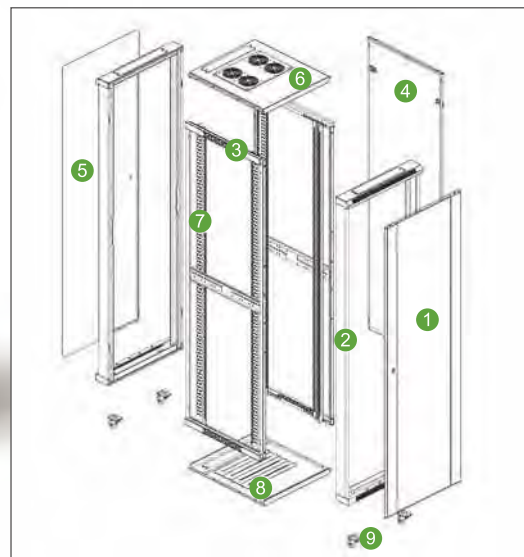
CABINET

PE NETWORK CABINETS



Feature

- Flat packing and patent frame, packing time is less than 20 minutes.
- Exquisite design with precise dimension and craftsmanship;
- Several styles of front and rear door options available;
- Adjustable feet and heavy duty castors are available simultaneously;
- Cable entry on the top cover and bottom panel with adjustable sizes ;
- Optional installation of plinth to enable cabinets fixation, under-base cable entry/ventilation;
- Efficient and reliable cabinet connection by baying kit;
- Removable side panels to ease maintain;



Main Part

S/N	Specification	Qty	Material	Surface Finish	Remark
1	Front door	1	----	Powder coated	See next page
2	Frame	2	SPCC t1.2	Powder coated	----
3	Side frame	2	SPCC t1.2	Powder coated	----
4	Side panel	2	SPCC t1.2	Powder coated	≥ 1000 width cabinets need 4 panels
5	Rear door	1	----	Powder coated	See next page
6	Top cover	1	SPCC t1.2	Powder coated	----
7	19" rails	4	SPCC t2.0	Powder coated	----
8	Bottom	1	SPCC t1.2	Powder coated	----
9	2" heavy duty castor	4	----	----	----
A	M12 adjustable feet	4	----	v	----
B	M6 screw& nuts	20	Steel	Color zinc	40pcs for over 33U
C	Trox tooling	1	Steel	Color zinc	----

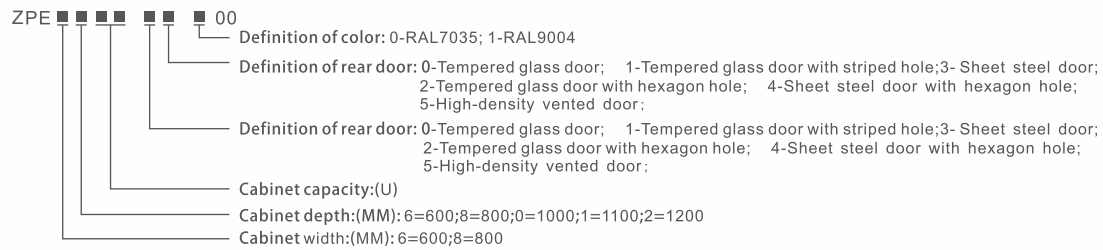
The 600mm width cabinet can be changed to the 800mm width one, only need to put the connecting panel and 2 cable management slots. Support 19" EIA equipment.



CABINET

PE NETWORK CABINETS

Definition Of Code



Ordering Information

Part Number.	Width (mm)	Depth(D)(mm)	Capacity (U)	Height(H)(mm)	CKD packing parts			
ZPE.6615.■■■.■■00	600	600	15	800	3			
ZPE.6620.■■■.■■00			20	1000				
ZPE.6624.■■■.■■00			24	1200				
ZPE.6629.■■■.■■00			29	1400				
ZPE.6633.■■■.■■00			33	1600				
ZPE.6638.■■■.■■00			38	1800				
ZPE.6642.■■■.■■00			42	2000				
ZPE.6647.■■■.■■00			47	2200				
ZPE.6815.■■■.■■00			800	800		15	800	
ZPE.6820.■■■.■■00						20	1000	
ZPE.6824.■■■.■■00		24				1200		
ZPE.6829.■■■.■■00		29				1400		
ZPE.6833.■■■.■■00		33				1600		
ZPE.6838.■■■.■■00		38				1800		
ZPE.6842.■■■.■■00		42				2000		
ZPE.6847.■■■.■■00		47				2200		
ZPE.6938.■■■.■■00		900				900	38	1800
ZPE.6942.■■■.■■00							42	2000
ZPE.6947.■■■.■■00			47	2200				
ZPE.6038.■■■.■■00		1000	1000	38		1800		
ZPE.6042.■■■.■■00	42			2000				
ZPE.6047.■■■.■■00	47			2200				
ZPE.8638.■■■.■■00	800	600	38	1800				
ZPE.8642.■■■.■■00			42	2000				
ZPE.8647.■■■.■■00			47	2200				
ZPE.8838.■■■.■■00		800	800	38	1800			
ZPE.8842.■■■.■■00				42	2000			
ZPE.8847.■■■.■■00				47	2200			
ZPE.8938.■■■.■■00		900	900	38	1800			
ZPE.8942.■■■.■■00				42	2000			
ZPE.8947.■■■.■■00				47	2200			
ZPE.8038.■■■.■■00		1000	1000	38	1800			
ZPE.8042.■■■.■■00				42	2000			
ZPE.8047.■■■.■■00				47	2200			

Packing dimensions: Carton width=cabinet width+40mm, Carton depth=cabinet depth+40mm, Carton height=cabinet height+90mm



CABINET PE NETWORK CABINETS



- Front & rear door (type 0)
Tempered glass door.
Small lock;
Reversible right or left handed doors;
Turning angle is over 180 degrees;
- Material:
Sheet steel
5MM safety glass
- Surface Finish: Powder coated
- Color: RAL7035;RAL9004



- Front & rear door (type 1)
Tempered glass door with striped hole.
Gray decoration bar;
Small lock;
Reversible right or left handed doors;
Turning angle is over 180 degrees;
- Material:
Sheet steel
5MM safety glass
- Surface Finish: Powder coated
- Color: RAL7035; RAL9004



- Front & rear door (type 2)
Tempered glass steel door with net hole.
Gray decoration bar;
Lock with comfort handle;
Reversible right or left handed doors;
Turning angle is over 180 degrees;
- Material:
Sheet steel
5MM safety glass
- Surface Finish: Powder coated
- Color: RAL7035; RAL9004



- Front & rear door (type 3)
Sheet steel door.
Small lock;
Reversible right or left handed doors;
Turning angle is over 180 degrees;
- Material:
Sheet steel
- Surface Finish: Powder coated
- Color: RAL7035; RAL9004



- Front & rear door (type 4)
Sheet steel door with hexagon hole.
Small lock;
Reversible right or left handed doors;
Turning angle is over 180 degrees;
- Material:
Sheet steel
- Surface Finish: Powder coated
- Color: RAL7035; RAL9004



- Front & rear door (type 5)
High-density vented door;
Slotted surface (SW7 hexagon) Air inlet opening>60%;
Lock with comfort handle;
Reversible right or left handed doors;
Turning angle is over 180 degrees;
- Material:Sheet steel
- Surface Finish: Powder coated
- Color: RAL7035; RAL9004



CABINET PE NETWORK CABINETS

May Installs The Fitting



Shelf
See page 160



Plinth
See page 166



Fan units
See page 157



M6 Screws & nets
See page 164

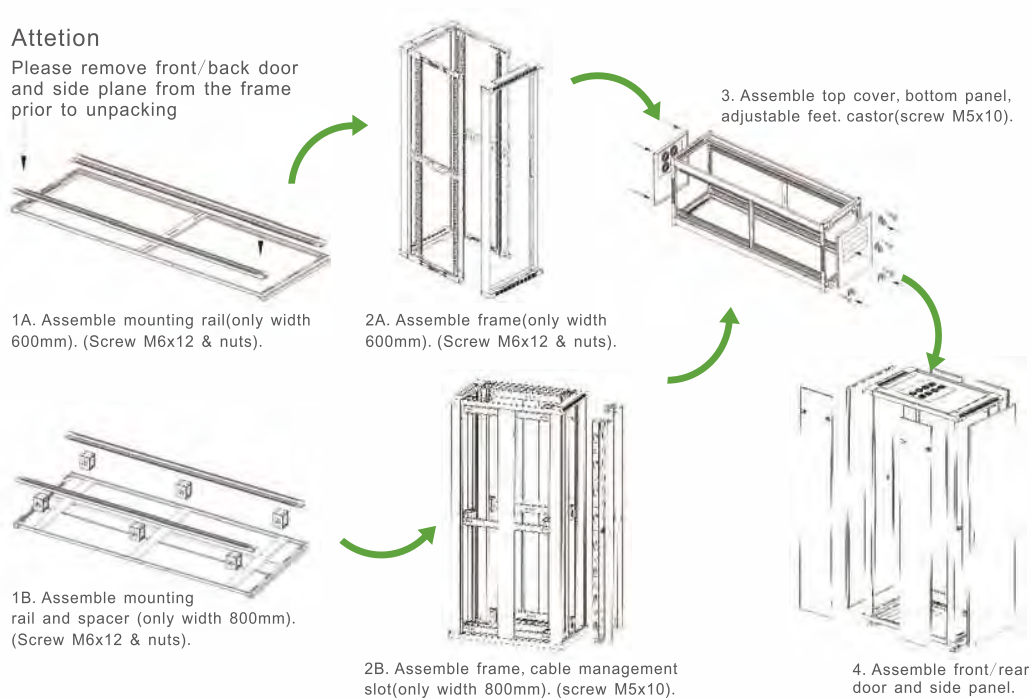


PDU
See page 153

Assembling Draft

Attention

Please remove front/back door and side plane from the frame prior to unpacking





TE Cabinets



Standard

- Comply with ANSI/EIA RS-310-D、IEC60297-2、DIN41494;PART1;DIN41494;PART7

Material

- SPCC Cold Rolled Steel;
- 19" rails:2.0mm, others: 1.0mm

Colour

- TE.■■■■■■■■.0■■■:RAL7035
- TE.■■■■■■■■.1■■■:RAL9004

Loading Capacity

- Static loading: 400KG



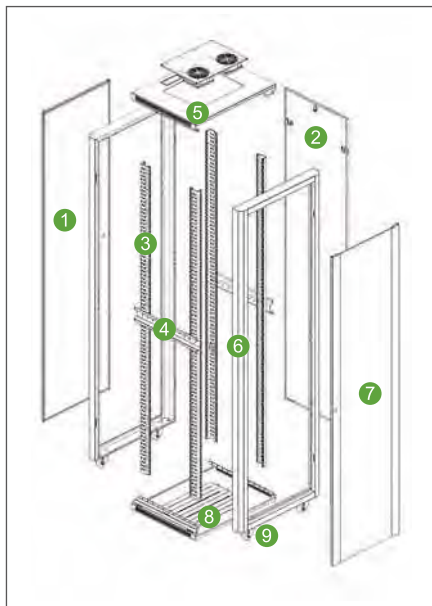
- 19" Profile with scale, movable forward and backward.



- 45 degree corner framework.



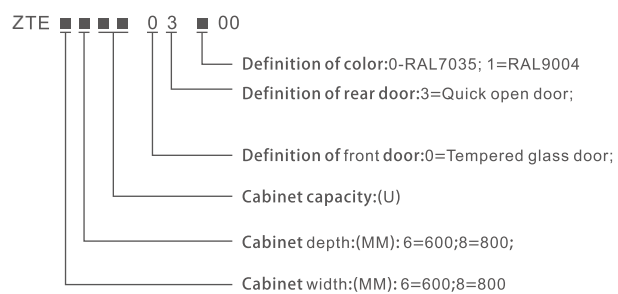
CABINET TE BUDGET CABINETS



Feature

- Exquisite design with precise dimension and craftsmanship;
- Within the cavity in front and back the door be style;
- Adjustable feet and heavy duty castors are available simultaneously;
- Modular quick disassembling;
- Optional installation of plinth to enable cabinets fixation, under-base cable entry/ventilation;
- Efficient and reliable cabinet connection by buying kit;
- Removable side panel&rear door to Quick open steel door ease maintain.

Definition Of Code



Main Part

S/N	Specification	Qty	Material	Surface Finish	Remark
1	Rear door	1	SPCC t1.0	Powder coated	----
2	Side panel	2	SPCC t1.0	Powder coated	----
3	19" rails	4	SPCC t2.0	Powder coated	----
4	Mounting angle	2	SPCC t1.0	Powder coated	----
5	Top cover	1	SPCC t1.0	Powder coated	----
6	Frame	2	SPCC t1.0	Powder coated	----
7	Front door	1	----	----	Tempered glass door
8	Bottom	1	SPCC t1.0	Powder coated	----
9	2" heavy duty castor	4	----	----	----
hardware kits with cabinet:					
A	M12 adjustable feet	4	Steel	Zinc-plated	Height:100MM
B	M6 screw& nuts	20	Steel	Zinc-plated	40pcs for over 27U
C	Trox tooling	1	Steel	Zinc-plated	----

Specification

Part Number.	Width (mm)	Depth(D)(mm)	Capacity (U)	Height(H)(mm)
ZTE.6621. ■■■. ■00	600	600	21	1020
ZTE.6627. ■■■. ■00			27	1290
ZTE.6636. ■■■. ■00			36	1690
ZTE.6642. ■■■. ■00			42	1955
ZTE.6647. ■■■. ■00			47	2180
ZTE.8842. ■■■. ■00	800	800	42	1955
ZTE.8847. ■■■. ■00			47	2180



SE Wall box

Standard

Comply with ANSI/EIA RS-310-D,
IEC60297-2、DIN41494;PART1;
DIN41494; PART7.

Material

PCC Cold Rolled Steel;
Thickness:Mounting profile: 1.2/1.5mm;
others: 1.0mm.

Colour

0:RAL7035.
1:RAL9004.

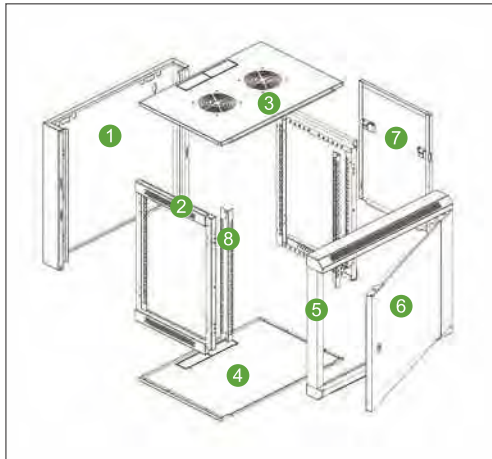
Loading Capacity

Static loading:60KG.





WALL BOX SE PAPID SINGLE SECTION



Feature

- Flat packing and patent frame, packing time is less than 5 minutes, around 1/3~1/4 assembled original volume when flat pack.
- Cable entry on both of top cover and bottom panel.
- Steel front door, opening direction of door can be changed, turning angle of front door is over 180 degrees.
- Different optional style of doors
- Wall mounted panel, convenience for installation, locked from inside with screw, avoiding to be stolen or accidentally dropped.
- Flat side panel, easy installation.
- Installation depth of mounting profile can be available changed.
- 19" standard installation.

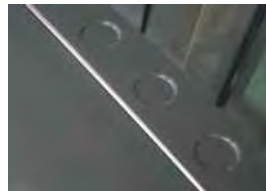
Main Part

S/N	Specification	Qty	Material	Surface Finish	Remark
1	Back frame	1	SPCC t1.0	Powder coated	----
2	Side frame	2	SPCC t1.0	Powder coated	----
3	Top cover	1	SPCC t1.0	Powder coated	----
4	Bottom	1	SPCC t1.0	Powder coated	----
5	Front frame	1	SPCC t1.0	Powder coated	See next page
6	Front door	1	5MM toughed glass door/ SPCC t1.2	Powder coated	Available on request
7	Side panel	2	SPCC t1.0	Powder coated	----
8	19" rails	2	SPCC t1.2/1.5	Powder coated	<15U Thinkness : 1.2mm >=15U Thinkness:1.5mm
A	M6 screw& nuts	10	Steel	Color zinc	20pcs for over 12U
B	Trox tooling	1	Steel	Black	----

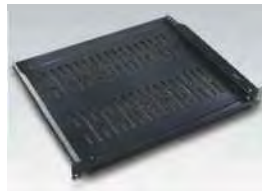
May Installs The Fitting



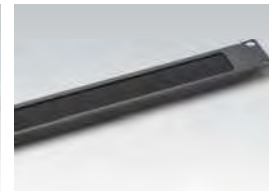
Threading hole with brush



Circular threading hole (φ 50MM)



Cantilever shelf
See page 160



Cable management
See page 163



WALL BOX SE PAPID SINGLE SECTION

Ordering Information

Model No.	RU	Width (mm)	Depth(D) (mm)	Height(H) (mm)	Volume (CBM)	20 GP (PCS)	40 GP (PCS)	CKD packing parts
ZSE.5406.01.■00	6	570	450	370	0.04317	672	1297	1
ZSE.5606.01.■00			600		0.05353	542	1046	2
ZSE.5409.01.■00	9	570	450	500	0.05117	567	1094	1
ZSE.5609.01.■00			600		0.05757	504	973	1
ZSE.5412.01.■00	12	570	450	635	0.06397	453	875	1
ZSE.5612.01.■00			600		0.06397	453	875	1
ZSE.5415.01.■00	15	570	450	770	0.0768	378	729	1
ZSE.5615.01.■00			600		0.0768	378	729	1
ZSE.5418.01.■00	18	570	450	900	0.0896	324	625	1
ZSE.5618.01.■00			600		0.0896	324	625	1
ZSE.5422.01.■00	22	570	450	1080	0.1067	272	525	1
ZSE.5622.01.■00			600		0.1067	272	525	1
ZSE.5427.01.■00	27	570	450	1305	0.1280	227	438	1
ZSE.5627.01.■00			600		0.1280	227	438	1

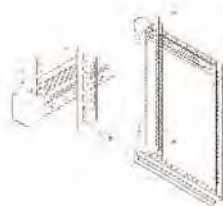
Suggestion: For overload reason, we don't suggest SE wall mount cabinet to be fully loaded on 40HQ container.

Definition Of Code

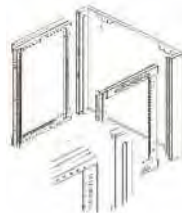
■■■■■■■ ■■ ■00

Definition of rear door: 0-Tempered glass door; 1-Tempered glass door with striped hole; 2-Tempered glass door with hexagon hole; 3-Sheet steel door; 4-Sheet steel door with hexagon hole; 5-High-density vented door.

Assembling Draft



Fix 19" mounting rails to the first holes of top & bottom of side frames by 4sets of M5*10 screws.



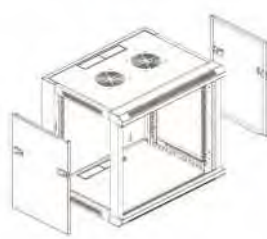
Install side frames to the grooves of back frame by 4pcs of M6*12 screws.



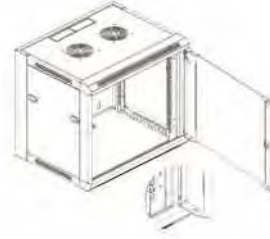
Install top and bottom as shown by the arrow in the picture.



Install front frame by 4pcs of M6*12 screws(6pcs of M6*12 screws if more than 18U).



Install side panels.



Install front door.



EW WALL BOX

Compliance

- Comply with ANSI/EIA RS-310-D、IEC60297-2、DIN41494;
- PART1 ; DIN41494;PART7

Material

- SPCC Cold Rolled Steel ;
- Thickness : Mounting profile: 2.0mm,others: 1.0mm

Colour

- EW.■■■■0■■:RAL7035
- EW.■■■■1■■:RAL7021

Loading Capacity

- Static loading: 30KG
- Protection category:Ip20

Finish

- Pretreated steel coated with textured , polyester powder paint



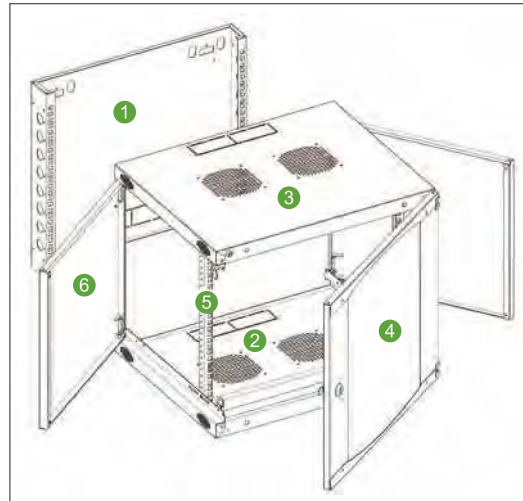


WALL BOX

EW PAPID SINGLE SECTION

Feature

- Knocked down and smaller packaging, easy to transport and carry.
- Front and rear frame of specially-made structure, better stability.
- Using 13 screw set to assembly the whole cabinet, it spends only 10mins by one people to operate.
- It has a pilot pin to help close the front door to avoid mismatch, and the front door can be changed to another way to open.
- The cable can be entered from top, bottom, back of the cabinet, suitable to every situation. The incoming cable hole patented, it can be adjusted, and has the round edge to avoid the cutting to the cable.
- Side panel can be opening in rotated way or disassembling, having a space enough to wiring, the side panel can be locked safely from inside without the locker and key.
- Maximum bearing capacity: 30KG.



Main Part

S/N	Specification	Qty	Material	Surface Finish	Remark
1	Back frame	1	SPCC t1.0	Powder coated	----
2	Bottom	1	SPCC t1.0	Powder coated	----
3	Top cover	1	SPCC t1.0	Powder coated	----
4	Front door	1	4MM toughed glass door/ SPCCt1.0	Powder coated	Small lock
5	19" rails frame	1	SPCC t2.0	Powder coated	----
6	Side panel	2	SPCC t1.0	Powder coated	----

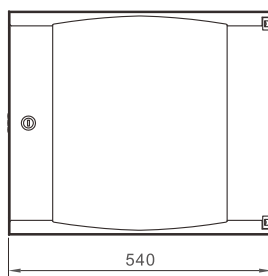
Ordering Information

Model No.	Capacity (U)	Width (mm)	Depth(D) (mm)	Height(H) (mm)	Disassembled packing dimension(MM)	Assembled packing dimension(MM)
ZEW.5406. ■00	6	540	450	327	570*215*485	550*460*340
ZEW.5606. ■00			600		570*165*635	550*610*340
ZEW.5409. ■00	9	540	450	460	500*215*590	550*460*470
ZEW.5609. ■00			600		590*205*615	550*610*470
ZEW.5412. ■00	12	540	450	593	570*205*655	550*460*605
ZEW.5612. ■00			600		590*205*635	550*610*605
ZEW.5415. ■00	15	540	450	725	570*205*790	550*460*740
ZEW.5615. ■00			600		630*205*745	550*610*740

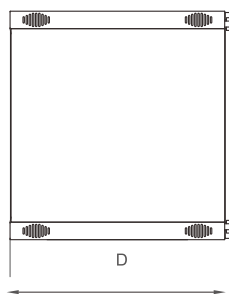


WALL BOX EW PAPID SINGLE SECTION

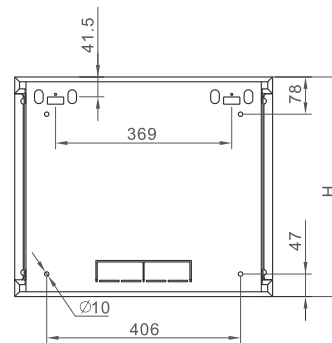
Main Structure



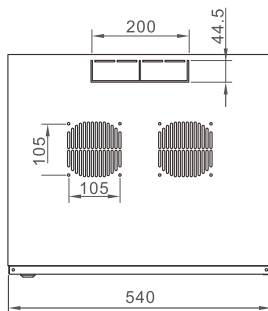
Front



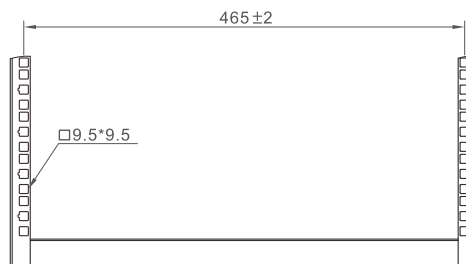
Side



Back



TOP



19"rails frame

May Installs the fitting



Cooling fan
See page 159



Blanking panel
See page 162



Cantilever shelf
See page 160



cable management
See page 163



M6 Screws & nuts
See page 164



Earthing kit
See page 165



PDU
See page 153



SA WALL BOX



Standard

- Comply with ANSI/EIA RS-310-D、IEC60297-2、DIN41494;PART1;DIN41494; PART7

Material

- SPCC Cold Rolled Steel;
- Thickness: 19" rails: 1.2/1.5mm, side panel 1.0mm, others: 1.2mm

Colour

- SA 000000:RAL7035
- SA 000001:RAL9004

Loading Capacity

- Static loading: 60KG





SB WALL BOX

Standard

- Comply with ANSI/EIA RS-310-D、IEC60297-2、DIN41494;PART1;DIN41494; PART7

Material

- SPCC Cold Rolled Steel;
- Thickness: 19" rails: 1.2/1.5mm, side panel 1.0mm, others: 1.2mm

Colour

- SB ■■■■0■■:RAL7035
- SB ■■■■1■■:RAL9004

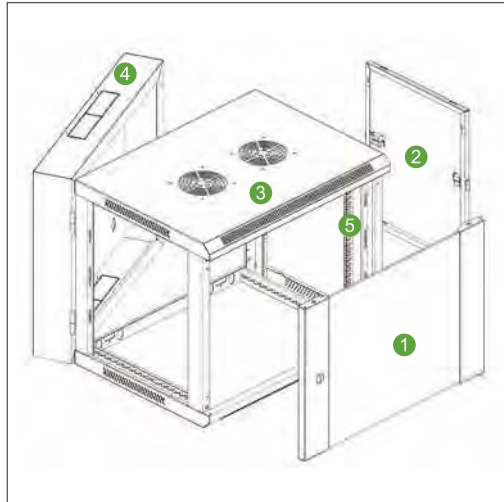
Loading Capacity

- Static loading: 30KG





WALL BOX SB DOUBLE SECTION



Feature

- Double section welded frame structure;
- Easy operation and maintaining at the back;
- 19" standard installation;
- Removable side panels, side locks are optional, easy installing and maintaining;
- Cable entry at the top cover and bottom panel;
- 120mm fan optional;
- Turning angle of front door is above 180 degrees;
- Turning angle of rear door is above 90 degrees.

Definition Of Code

■ ■ ■ ■ ■ ■ ■ ■ ■ ■ ■ ■ ■ ■ 00

Definition of rear door:
0-Tempered glass door;
1-Tempered glass door with striped hole;
2-Tempered glass door with hexagon hole;
3-Sheet steel door
4-Sheet steel door with hexagon hole;
5-High-density vented door;

Main Part

S/N	Specification	Qty	Material	Surface Finish	Remark
1	Front door	1	5MM toughed glass door/ SPCCt1.2	Powder coated	----
2	Side panel	2	SPCC t1.0	Powder coated	----
3	Front frame	1	SPCC t1.2	Powder coated	----
4	Back frame	1	SPCC t1.2	Powder coated	----
5	19" rails	4	SPCC t1.2/1.5	Powder coated	<15U Thinkness : 1.2mm >=15U Thinkness:1.5mm
A	M6 screw& nuts	10	Steel	Color zinc	----
B	Trox tooling	1	Steel	Black	20pcs for over 12U

Specification

Model No.	RU	Width (mm)	Depth(D)(mm)	Height(H)(mm)	Packing dimension (mm)
ZSB.6506.02.■00	6	600	550	370	620*570*390
ZSB.6509.02.■00	9	600	550	500	620*570*520
ZSB.6512.02.■00	12	600	550	635	620*570*650
ZSB.6515.02.■00	15	600	550	770	620*570*790
ZSB.6518.02.■00	18	600	550	900	620*570*920
ZSB.6522.02.■00	22	600	550	1080	620*570*1100



SQ WALL BOX

Standard

- Comply with ANSI/EIA RS-310-D, IEC60297-2, DIN41494;PART1; DIN41494; PART7

Material

- SPCC Cold Rolled Steel;
- Thickness: 19" rails: 1.2/1.5mm, others: 1.0mm

Colour

- SQ ■■■■■■ 0■■:RAL7035
- SQ ■■■■■■ 1■■:RAL9004

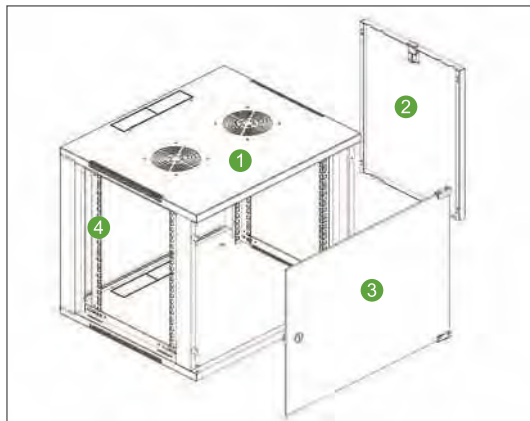
Loading Capacity

- Static loading: 50KG





WALL BOX SQ SINGLE SECTION



Feature

- Welded frame, reliable structure;
- Standing or wall mounting installation;
- Easy mounting installation (patent) ;
- 19" standard installation;
- Removable side panels, side locks optional;
- Cable entry on both of top cover and bottom panel;
- 120mm fan available;
- Turning angle of front door is over 180 degrees

Main Part

S/N	Specification	Qty	Material	Surface Finish	Remark
1	Frame	1	SPCC t1.0	Powder coated	----
2	Side panel	2	SPCC t1.0	Powder coated	----
3	Front door	1	5MM toughed glass	----	----
4	19" rails	4	SPCC t1.2/1.5	Powder coated	<15U Thinkness : 1.2mm >=15U Thinkness:1.5mm
A	M6 screw& nuts	10	Steel	Color zinc	20pcs for over 12U
B	Trox tooling	1	Steel	Black	----

Specification

Model No.	RU	Width (mm)	Depth(D)(mm)	Height(H)(mm)	Packing dimension (mm)
ZSQ.5406.03.■00	6	540	450	315	560*470*330
ZSQ.5606.03.■00			600		560*620*330
ZSQ.5409.03.■00	9	540	450	450	560*470*470
ZSQ.5609.03.■00			600		560*620*470
ZSQ.5412.03.■00	12	540	450	580	560*470*600
ZSQ.5612.03.■00			600		560*620*600
ZSQ.5415.03.■00	15	540	450	715	560*470*730
ZSQ.5615.03.■00			600		560*620*730
ZSQ.5420.03.■00	20	540	450	935	560*470*950
ZSQ.5425.03.■00	25		600		560*470*1180

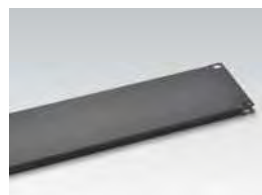
May Installs The Fitting



Circular threading hole
(φ 50MM)



Cantilever shelf
See page 160



Blanking panel
See page 162



Cooling fan
See page 159



VA WALL BOX

Standard

- Comply with ANSI/EIA RS-310-D, IEC60297-2, DIN41494;PART1 ; DIN41494;PART7

Material

- SPCC Cold Rolled Steel ;
- Thickness : Mounting profile: 2.0mm,others: 1.0mm

Colour

- VA ■■■■ 0■■:RAL7035
- VA ■■■■ 1■■:RAL7021

Loading Capacity

- Static loading: 30KG

Protection Category

- Ip20

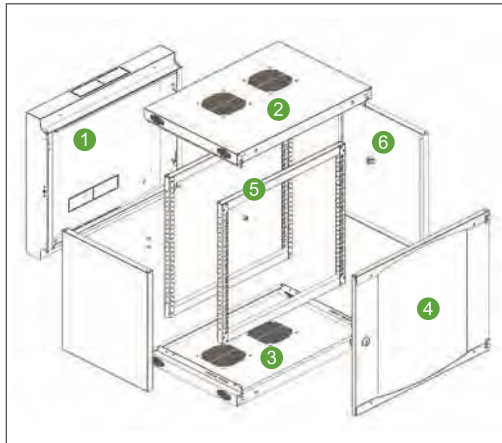
Finish

- Pretreated steel coated with textured , polyester powder paint





WALL BOX VA DOUBLE SECTION



Feature

- Disassembled and small packaging, easy to deliver and carry.
- Special design front and back frames are with good stability.
- 16 screws are needed to assemble the whole enclosure. It will take only 10 minutes to assemble the enclosure by one person.
- Front door is with corrective structure to avoid door dropping.
- Opening direction could be changed easily.
- Cable entries are available on top, bottom and back of enclosure, suitable for different places.
- The patented cable entries are adjustable and with the design to prevent wires from scratching.
- Opening direction of enclosures can be changed quickly. Automatic locking ensures safety and reliability.
- Maximum Loading capacity: 30kgs.

Main Part

S/N	Specification	Qty	Material	Surface Finish	Remark
1	Back frame	1	SPCC t1.0	Powder coated	----
2	Top cover	1	SPCC t1.0	Powder coated	----
3	Bottom	1	SPCC t1.0	Powder coated	----
4	Front door	1	4MM toughed glass door/ SPCCt1.0	Powder coated	Small lock
5	19" rails frame	2	SPCC t2.0	Powder coated	----
6	Side panel	2	SPCC t1.0	Powder coated	----

Specification

Model No.	Capacity (U)	Width (mm)	Depth(D) (mm)	Height(H) (mm)	Disassembled packing dimension(MM)	Assembled packing dimension(MM)
ZVA.5406. ■00	6	540	450	327	570*280*440	550*460*350
ZVA.5606. ■00			600		570*310*545	550*610*350
ZVA.5409. ■00	9	540	450	460	600*265*490	550*460*480
ZVA.5609. ■00			600		600*310*530	550*610*480
ZVA.5412. ■00	12	540	450	593	600*265*625	550*460*610
ZVA.5612. ■00			600		600*290*625	550*610*610
ZVA.5415. ■00	15	540	450	725	600*265*760	550*460*750
ZVA.5615. ■00			600		600*290*760	550*610*750



605 Data Racks



Standard

- Comply with ANSI/EIA RS-310-D、IEC60297-2、DIN41494;PART1; DIN41494;PART7

Material

- SPCC Cold Rolled Steel;
- Column: 1.5mm, others: 2.0mm

Colour

- 605 ■■■■■■ 0■:RAL7035
- 605 ■■■■■■ 1■:RAL9004

Loading Capacity

- Static loading: 250KG

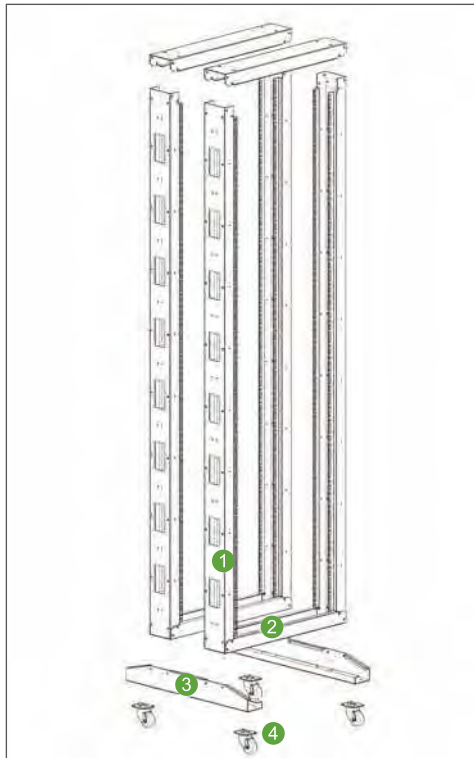
Feature

- Modular design, easily assemble and disassemble for delivery, low-cost.
- Various optional accessories according to requirements (cable management slot, removable working panel, etc.,)

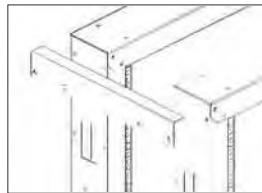


RACK

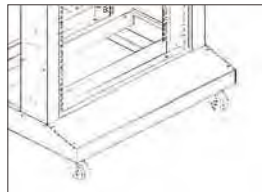
605 DATA RACKS



May Installs The Fitting



L bracket(customized)



Trim plate(customized)



Shelf
See page 160

Main Part

S/N	Specification	Qty	Material	Surface Finish	Remark
1	Column	4	SPCC t1.5	Powder coated	----
2	Plinth	4	SPCC t1.5	Powder coated	----
3	SupportCrossbeam	2	SPCC t2.0	Powder coated	----
4	2" heavy duty castor	4			----
A	M6 screw& nuts	20	Steel	Color zinc	40pcs for over 33U
B	Trox tooling	1	Steel	Black	----

Specification

Model No.	RU	Width (mm)	Depth(D)(mm)	Height(H)(mm)	Volume (CBM)
605.6629.00.■00	29	600	600	1422	1420*260*140
605.6633.00.■00	33	600	600	1600	1600*260*140
605.6638.00.■00	38	600	600	1822	1820*260*140
605.6642.00.■00	42	600	600	2000	2000*260*140
605.6647.00.■00	47	600	600	2222	2220*260*140

The packing information is for the flat pack and we suggest to use this flat pack to get significant cost saving.



606 Open Racks



Standard

- Comply with ANSI/EIA RS-310-D、IEC60297-2、DIN41494;PART1; DIN41494;PART7

Material

- SPCC Cold Rolled Steel;
- Column: 1.5mm, others: 2.0mm

Colour

- 606 ■■■■■■ 0■■:RAL7035
- 606 ■■■■■■ 1■■:RAL9004

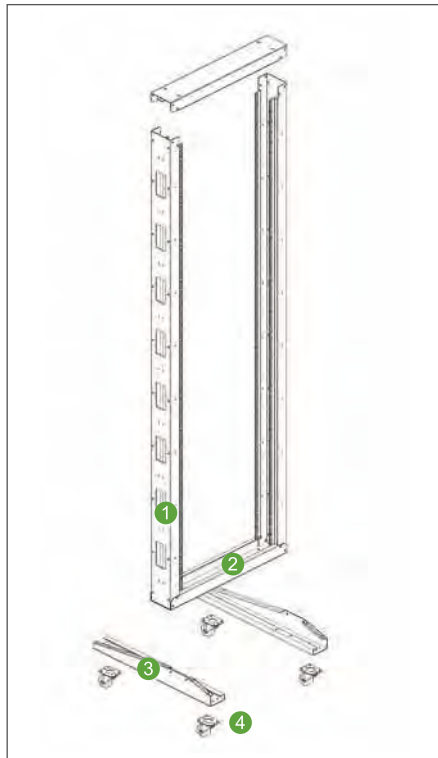
Loading Capacity

- Static loading: 150KG



RACK

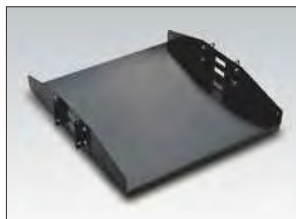
606 OPEN RACKS



Feature

- Modular design, easily assemble and disassemble for delivery, low-cost.
- Various optional accessories according to requirements(cable management slot, removable working panel, etc.).

May Installs The Fitting



Double Sided Shelf
See page 159



Cantilever shelf
See page 159



cable management
See page 163

Main Part

S/N	Specification	Qty	Material	Surface Finish	Remark
1	Column	2	SPCC t1.5	Powder coated	----
2	Plinth	2	SPCC t2.0	Powder coated	----
3	SupportCrossbeam	2	SPCC t2.0	Powder coated	----
4	2" heavy duty castor	4			----
A	M6 screw& nuts	20	Steel	Color zinc	40pcs for over 33U
B	Trox tooling	1	Steel	Black	----

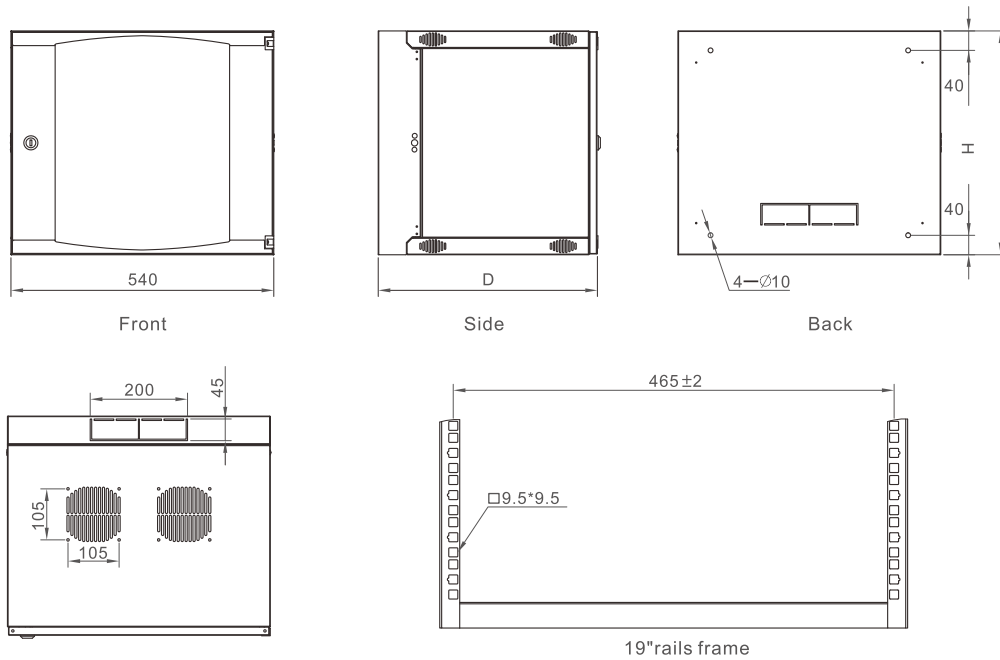
Specification

Model N o.	RU	Width (mm)	Depth(D)(mm)	Height(H)(mm)	Volume (CBM)
606.6629.00.■00	29	600	600	1422	1420*260*140
606.6633.00.■00	33	600	600	1600	1600*260*140
606.6638.00.■00	38	600	600	1822	1820*260*140
606.6642.00.■00	42	600	600	2000	2000*260*140
606.6647.00.■00	47	600	600	2222	2220*260*140



WALL BOX VA DOUBLE SECTION

Main Structure



May Installs The Fitting



Cooling fan
See page 159



Blanking panel
See page 162



Cantilever shelf
See page 160



cable management
See page 163



M6 Screws & nuts
See page 164



Earthing kit
See page 165



PDU
See page 153



CABINETS FITTING WALL MOUNT BRACKET



19" WALL MOUNT BRACKETS

- Black powder painted steel construction.
- Wall mount 19" bracket.
- Standard spacing and threading.
- Front dimensions by standard.
- EIA Soft cable protection grommets.
- Color: BLACK / GREY.

Main part:

Model No.	Description
702202100	2U-6" DP
702203100	3U-6" DP
702204100	4U-6" DP
702204101	4U-12" DP
702207100	7U-12" DP



WALL MOUNT BRACKETS COVER

- Used for wall mount bracket.
- material: SPCC cold rolled steel.
- Color: BLACK / GREY.

Main part:

Model No.	Description
702200100-A	6" DP
702200100-B	12" DP





CABINETS FITTING PDU

PDU



- **Interface Compatibility :** the world modulation standard power outlet hole module, States could satisfy the different needs of customers with more output jacks and IEC output socket. apply to different countries import the equipment plugs. (Inter plugs vary from the standard, before buying Please check)
- **Achieve double-importation,** IEC socket input, Product front panel input, rear imported products ,imported products end form.
- **With a variety of specifications** GB, the British superscript, subscript Germany, the United States superscript, subscript India.
- **Optional 10A, 16A and industrial couplings,** and other specifications for the plug. Rackable installation of international standards: easy installation in standard 19-inch cabinets, racks, the only occupies 1U of rack space, Installation support level (standard 1 9-inch), the installation of the vertical (parallel with the Cabinet column installation), is also applicable to other occasions.
- **Convenient and reliable performance of the installation:** . 19-inch standardized design, installation is very simple. At least only two screws, PDU can be firmly fixed. Users may need to adjust products PDU installation of 180 degrees; coupled with a magnitude of L-plate bend can be achieved PDU products adjustment 90 degrees installation.
- **Multiple circuit protection function lightning and surge protection:** The biggest impact resistance Electricity : 20KA or higher; Limit voltage :≤500V or less; Lightning Protection, through professional testing centers detection, Fine-used equipment Surge Protection police protection : Current LED digital display and alarm functions with current monitoring of the entire process of filtering protection : protection with sophisticated filtering, ultra-stable output power of pure overload protection : bipolar provide overload protection, can effectively prevent overload generated by the issue.
- **Misoperation:** PDU dominated switch ON / OFF gate with protection to prevent the closure of the accident, while providing the option of a two-way.



Input connector type



Plug style	IEC60329
Parameter	16/32A 250VAC



Plug style	IEC320 C14(C20)
Parameter	10(16A) 250VAC



Plug style	BS1363
Parameter	13A 250VAC



Plug style	AS/NZS 3112
Parameter	10/15A 250VAC



Plug style	DIN49441
Parameter	16A 250VAC



Plug style	NEMA 5-15P
Parameter	15A 125VAC



CABINETS FITTING PDU

Output unit type



Style	AS/NZS 3112
Parameter	10(15A) 250VAC



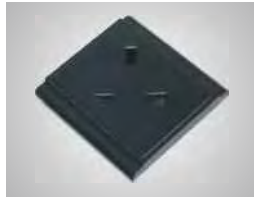
Style	DIN49440
Parameter	16A 250VAC



Style	IEC320 C13(C19)
Parameter	10(16A) 250VAC



Style	IEC302C19
Parameter	13A 250VAC

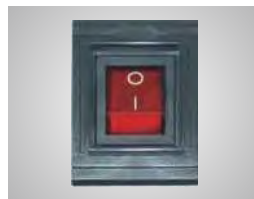


Style	BS1363(45°)
Parameter	13A 250VAC



Style	NEMA 5-15R
Parameter	15A 150VAC

Input connector type



Name	Master switch
------	---------------



Name	Master overload Protector & power indicator
------	---



Parameter	Mini circuit breaker(1~60A)
-----------	-----------------------------



Code	LY-A
Name	protective device



Code	LY-B
Name	protective device

Surge protective device

TUL-LY-A/B	Parameter
Rated voltage	250VAC 50/60Hz
Rated load current IR	16A
Max. power P _{MAX}	4000W
Max. Continuous operating voltage U _C	320VAC
Measured limiting voltage U _r	<1000V
Nominal discharge current(8/20 μs)I _n	10KA
Voltage protection level U _p	<1000V
Response time T _A	<25nS
Protection mode	L-N L-PE N-PE
Earth indicator	Yellow LED
Lightning protection	Green LED
Power indicator	Red LED
Alternative filtration	Highly efficient
Insulation resistance R _{IS}	>100MΩ
Fire resistance	Up to UL 94V-0
Environment temperature	-40~+70°C
Relative humidity	≤95%

Surge protective device:LY-B



- Red LED light, when working, means the Power had Unicom and filtering output.
- Green LED light, when disabled, means the failure ofThe lighting protection circuit.
- Yellow LED light, when working, means the absence of earth wire of the power supply system, which shall be case to contact electrician for his professional and grounding.



CABINETS FITTING

TC DIGITAL TEMPERATURE UNIT

TC Digital Temperature Unit

- 19" installation
- Simple structure, easy installation;
- Easy cabling & operation;
- Disturbing resistance, reliable running;
- 2-way output (IEC320 C13 and NEMA 5-15R).

Main part:

Model No.	Input connector type
701801■01	UK type(BS1363)
701801■02	German type(DIN49441)
701801■03	US type(NEMA 5-15P)

Technical parameters

- Power supply: 220VAC+10%/-15%, 50/60Hz.
- Temperature measuring range: -50°C ~ 99°C.
- Resolution: 1°C.
- Refrigeration output contact capacity: 10A/277VAC.
- Sensor error delay time: 1min.
- Safe level: 1P65.
- Operation humidity: 20~85% (no condensate).
- Power consumption: ≤ 3W.
- Temperature controlling range: -40°C ~ 50°C.
- Accuracy: -50°C ~ 70°C, ±1°C, ±1°C at others can drive single phase compressor ≤ 1/2HP.
- Sensor: NTC.
- OPERATION TEMPERATURE: -30°C ~ 75°C.

Front panel



Key-press function

Key-press	Normal mode	Parameter modification mode
SET	Check compressor protection time	Display current menu set value
SET...3seconds	Enter into parameter modification	
Rst	Check temperature exceeding value	Quit from parameter modification
▲	Temperature upper limits checking	Menu items go backwards
▼	Temperature lower limits checking	Menu items go forwards
SET+▲		Parameter values increase by degrees
SET+▼		Parameter values decrease by degrees



Key operation

- Check parameter set value :
Press ▲ and then loosen to display the set upper limit;
Press ▼ and then loosen ▼ to display the.

Modify parameter set value

- Press set for more than 3s to enter into parameter modifying status the last, display the last adjusted menu after electrified with parameter modifying indicator light on.
- Press ▲ or ▼ to go forward or backward the menu item; press set to display the current.

Parameter set value

- Press set and ◻ or ◻ simultaneously can adjust the current parameter set value; press set and ◻ simultaneously more than 1s will increase current parameter set value quickly; press set and ◻ simultaneously more than 1s will decrease current parameter set value quickly;
- Press rst or no key operation in 30s will save the modified parameter and return to normal temperature display status.

Restore the parameter setting

- When electrify the controller, first check the parameter setting, if parameter setting is wrong, LED display E1 with buzzer sound, at this time press Set will restore default parameter setting.
- Advise to reset the parameter.



CABINETS FITTING

TC DIGITAL TEMPERATURE UNIT

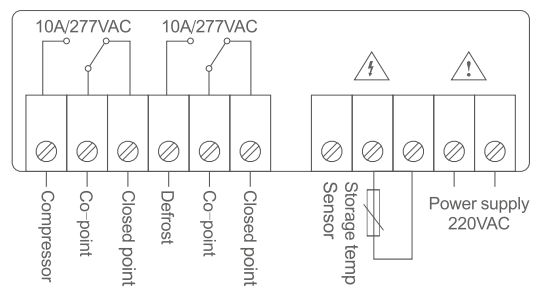
Control outprt

- **Compressor:**When the storage temp.Is higher than set temp.Upper limit,compressor starts,lower than set temp. Lower limit,compressor stops,When sensor errir, compressor works proportionably as on -15 minutes off-30 minutes.After electrified or compressor stops.Compressor restart-up is allowed after running out of compressor protection time.
- **Alarm:**While temp.exceeding value is not 0.LED blinkingly displays current temperature when storage temperature is higher than set temperature upper limip +exceeding temp value or lower than set lower limit-exceeding temp.value. When rumming out of the exceeding temp.limit alarm starts with after electrified.exceeding temp.limit alarm starts with buzzer sound,and alarm cancel when temperature return to normal temperature LED blinkingly Display E1 with buzzer sound when memorizer error;display E2 with buzzer sound when sensor error,Display HH when temp. Higher than 99°C and lower than 120°C。 Press any key to cancel alarm sound,but alarm status remains.

Indicator light description

Indicator light	Status	Function
Cool	Always on	Compressor cutput
Cool	Flashes	Compressor cutput delay
Set	Always on	Parameter modification status

Wire diagram



Key-press function

Item	Function	Fetting range	Unit	Default
F1	Upper limit	F2~+50	°C	-10
F2	Lower limit	-F40~F1	°C	-20
F3	Temperature calibration	-5~5	°C	0
F4	Compressor protection time	0~9	Min	3
F5	Exceeding temperatuer value	0~50, set value as 0 to cancel alam	°C	15
F6	Exceeding temperature alarm delay time	0~99	Min	20

Safety regulations

- **Danger:**Strictly distinguish the sensor down-lead,power wire and output relay interface from one another,prohibit wrong connections or overloading the relay. All connections should be modified under electricity cut-off.
- **Warning:**Prohibit to use the machine in water or under the environment of ower damp,high temperature,string electromagnetism interference ir string corrosion.
- **Caution:**The power supply should conform to one labeled on the machine,and ensure the stability of the power voltage. Sensor down-lead and power should be kept for a proper distance to avoid possible interferences.

Error code

Code	Reason	Status
E1	Memorizer error	Alarm,machine does not work
E2	Sensor error	Alarm.Compressor starts /stop proportionably
HH	Exceeding temp, display limit	



CABINETS FITTING COOLING

2/4 Fan Units

- Only for SHIP cabinet, enable ventilation and reliable operation. Easy-to-disassemble enable convenient operation.
- Full series of optional switch, can control fans singly.

Parameter

- Fan size:120X120X38, cable length: 1.9M
- Input frequency: 100~231V/50Hz
- Period: -10°C~+50°C
- Material: SPCC cold rolled steel
- Color: 70■■■■■0■■■: RAL7035
70■■■■■1■■■: RAL9004



Main part:

Model No.	Description	Input connector type
700402■11	2 fans	UK type(BS1363)
700402■12	2 fans	German type(DIN49441)
700402■13	2 fans	US type(NEMA 5-15P)
700404■11	4 fans	UK type(BS1363)
700404■12	4 fans	German type(DIN49441)
700404■13	4 fans	US type(NEMA 5-15P)

2/4 Fan Units With Thermostat

Only for SHIP cabinet, enable ventilation and reliable operation.
Easy-to-disassemble enable convenient operation.

Parameter

- large setting range: 0°C~+60°C
- small size
- High switching performance
- Fan size:120X120X38, Cable length:1.9m
- Input frequency:100~231V/50Hz
- Material:SPCC cold rolled steel
- Color: 70■■■■■0■■■: RAL7035
70■■■■■1■■■: RAL9004



Main part:

Model No.	Description	Input connector type
700402■11T	2 fans	UK type(BS1363)
700402■12T	2 fans	German type(DIN49441)
700402■13T	2 fans	US type(NEMA 5-15P)
700404■11T	4 fans	UK type(BS1363)
700404■12T	4 fans	German type(DIN49441)
700404■13T	4 fans	US type(NEMA 5-15P)



CABINETS FITTING COOLING

1U Fan Units

- 19" standard installation, 1U Switch control fans work.

Parameter

- Fan size: 120X120X38, cable length: 1.9M
- Input frequency: 100~231V/50Hz
- Period: -10°C~+50°C
- Material: SPCC cold rolled steel
- Color: 70■■■■■0■■■: RAL7035
70■■■■■1■■■: RAL9004



Main part:

Model No.	Description	Input connector type
700402■21	2 fans	UK type(BS1363)
700402■22	2 fans	German type(DIN49441)
700402■23	2 fans	US type(NEMA 5-15P)
700403■21	3 fans	UK type(BS1363)
700403■22	3 fans	German type(DIN49441)
700403■23	3 fans	US type(NEMA 5-15P)
700404■21	4 fans	UK type(BS1363)
700404■22	4 fans	German type(DIN49441)
700404■23	4 fans	US type(NEMA 5-15P)

3U Fan Units

- 19" standard installation, 3U

Parameter

- Fan size: 120X120X38, cable length: 1.9M
- Input frequency: 100~231V/50Hz
- Period: -10°C~+50°C
- Material: SPCC cold rolled steel
- Color: 70■■■■■0■■■: RAL7035
70■■■■■1■■■: RAL9004



Main part:

Model No.	Description	Input connector type
700402■31	2 fans	UK type(BS1363)
700402■32	2 fans	German type(DIN49441)
700402■33	2 fans	US type(NEMA 5-15P)
700403■31	3 fans	UK type(BS1363)
700403■32	3 fans	German type(DIN49441)
700403■33	3 fans	US type(NEMA 5-15P)



CABINETS FITTING SHELF

Cooling Fan

- For network cabinet, adjust inner temperature
Performance reference.

Parameter

- Size: 120X120X38
- Atmosphere runoff: 50CFM, Noise: 24.9 dB
- periode: -10°C~+50°C



Main part:

Model No.	Description	Input(v)	Axletree Type
701022000	AC fans	220	Oiliness Axletree

Cantilever Shelf Without Holes

- Used for 19 inch network cabinet and rack.

Parameter

- Material: SPCC cold rolled steel.
- Color: 70■■■■■0■■■: RAL7035
70■■■■■1■■■: RAL9004



Main part:

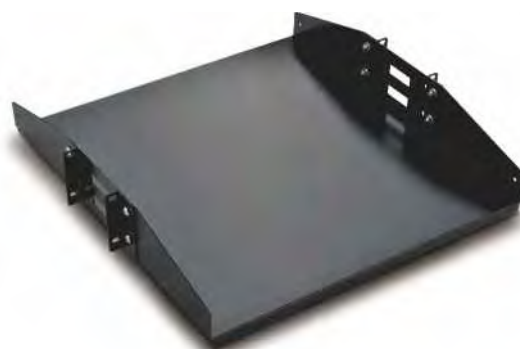
Model No.	Description	Capacity
701402■07	2U-10" DP	22Kg.[48Lb]
701402■08	2U-16" DP	22Kg.[48Lb]

Double Sided Shelf (2U)

- Used for 19" open rack, 2U height.

Parameter

- material: SPCC cold rolled steel.
- Color: 70■■■■■0■■■: RAL7035
70■■■■■1■■■: RAL9004



Main part:

Model No.	Description	Capacity
701402■02	2U-19" DP	50Kg.[110Lb]



CABINETS FITTING SHELF

Fixed Shelf

- Only for SHIP cabinet, install from side.

Parameter

- Static load capacity: 90 Kg [198Lb]
- Material: SPCC 1.2 cold rolled steel
- Color: 70■■■■■0■■■: RAL7035
70■■■■■1■■■: RAL9004



Main part:

Model No.	Shelf size MM		Use
	Width	Depth	
700145■■00	485	300	450MM wall box
700166■■01	485	450	600MM wall box
700160■■00	485	350	600MM cabinet
700180■■00	485	550	800MM cabinet
700190■■00	485	620	900MM cabinet
700110■■00	485	720	1000MM cabinet

Cantilever Shelf With Holes

- Used for 19 inch network cabinet and rack.

Parameter

- material: SPCC cold rolled steel.
- Color: 70■■■■■0■■■: RAL7035
70■■■■■1■■■: RAL9004



Main part:

Model No.	Description	Capacity
701401■■02	1U-6" DP	5Kg.[11Lb]
701401■■01	1U-10" DP	10Kg.[22Lb]
701402■■05	2U-12" DP	22Kg.[48Lb]
701402■■04	2U-14" DP	22Kg.[48Lb]
701402■■01	2U-16" DP	22Kg.[48Lb]
701402■■06	2U-18" DP	22Kg.[48Lb]
701403■■01	3U-16" DP	36.3Kg.[80Lb]
701403■■02	3U-18" DP	36.3Kg.[80Lb]



CABINETS FITTING SHELF

Keyboard

- Used for 19 inch network cabinet.
- Keyboard width is no more than 400MM.
- Sliding shelf could elongate to 260MM.

Parameter

- material: SPCC cold rolled steel.
- Color: 70■■■■■0■■■: RAL7035
70■■■■■1■■■: RAL9004

Main part:

Model No.	Description	Use
700335■01	1 type	600~800MM cabinet
700335■02	2 type	900~1100MM cabinet



Keyboard With Mouse Panel (2U)

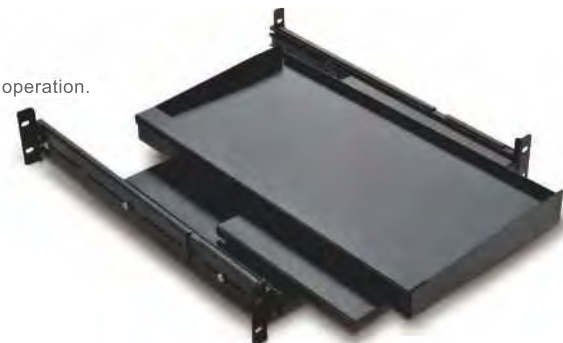
- Used for 19 inch network cabinet.
- Keyboard allowed maximum size 500X200MM.
- Keyboard and mouse are individually placed for convenient operation.

Parameter

- Material: SPCC cold rolled steel.
- Color: BLACK

Main part:

Model No.	Use
702102100	800~1000MM cabinet



Sliding Shelf (1U)

- Used for 19 inch network cabinet.

Parameter

- Static load capacity: 30 Kg [66Lb]
- Material: SPCC cold rolled steel
- Color:70■■■■■0■■■: RAL7035
70■■■■■1■■■: RAL9004

Main part:

Model No.	Description	Shelf size MM		Use
		Width	Depth	
700235■00	350 type	440	350	600~800MM cabinet
700255■00	550 type	440	550	900~1100MM cabinet





CABINETS FITTING PANEL/BRACKETS

L Brackets

- Only for SHIP 19" cabinet and wall box, install from side.

Parameter

- Static load capacity: 15 Kg [33Lb]
- Material: SPCC cold rolled steel.
- Color: 70■■■■■0■■■: RAL7035
70■■■■■1■■■: RAL9004



Main part:

Model No.	Description	Length	Use
701345■■00	45 type	300	450MM wall box
701366■■01	66 type	450	600MM wall box
701360■■00	60 type	320	600MM cabinet
701380■■00	80 type	520	800MM cabinet
701390■■00	90 type	620	900MM cabinet
701310■■00	10 type	720	1000MM cabinet

Blanking Panel

- Compatible with 19 inch network cabinet, cover the blank position.

Parameter

- Material: SPCC cold rolled steel.
- Color: 70■■■■■0■■■: RAL7035
70■■■■■1■■■: RAL9004



Main part:

Model No.	Description	Size MM	
		Width	Depth
700601■■00	1U	482	44
700602■■00	2U	482	88
700603■■00	3U	482	132.5
700604■■00	4U	482	177



CABINETS FITTING CABLE MANAGEMENT

1U Metal Cable Management With Cover

Compatible with 19 inch network.



Parameter

- Material: SPCC cold rolled steel.
- Color:BLACK

Main part:

Model No.	Size MM	
	Width	Height
701402113	482	80

1U Metal Cable Management

Compatible with 19 inch network, metal cable management with 4 rings.



Parameter

- Material: SPCC cold rolled steel.
- Color:BLACK

Main part:

Model No.	Size MM	
	Width	Height
701402119	482	68

1U Plastic Cable Management

Compatible with 19 inch network, removable Plastic cable management with 5 rings.



Parameter

- Material: SPCC cold rolled steel and plastic ring.
- Color: BLACKANODIZE.

Main part:

Model No.	Size MM	
	Width	Height
701402120	482	68

1U Cable Management With Brush

Compatible with 19 inch network.



Parameter

- Material: SPCC cold rolled steel+ brush.
- Color: BLACK.

Main part:

Model No.	Size MM	
	Width	Hole
701402133	482	390X30



CABINETS FITTING SCREWS&NUTS

10-32 Screws With Cushion



Parameter

- Phillips
- Color: BLACK

Main part:

Model No.	Packs of
700906004	100

M6 Screws & Nets



Parameter

- Phillips /Trox
- Color: Zinc-plated

Main part:

Model No.	TYPE	Packs of
700906001	Trox(T30)	50
700906002	Phillips	50

M6 Cushion



Parameter

- Used for M6 screws
- Material: ABS
- Color: BLACK

Main part:

Model No.	Packs of
700906010	50

T30 Trox Tool



Parameter

- Used for M6 screws
- Size: ϕ 5.5*33*120
- Color: Zinc-plated

Main part:

Model No.	Packs of
701901001	10



CABINETS FITTING PLINTH/DRAWER

Plinth

Parameter

- Only for SHIP 19" cabinet,
- Static load capacity: 1000 Kg.[2200Lb]
- Material: SPCC cold rolled steel
- Color:70■■■■■0■■■:RAL7035
70■■■■■1■■■:RAL9004



Main part:

Model No.	Shelf size MM			Use
	Width	Depth	Height	
702266■■10	600	600	100	601 cabinet
702268■■10	600	800	100	601 cabinet
702269■■10	600	900	100	601 cabinet
702260■■10	600	1000	100	601 cabinet
702286■■10	800	600	100	601 cabinet
702288■■10	800	800	100	601 cabinet
702266■■11	600	600	100	PE cabinet
702268■■11	600	800	100	PE cabinet
702269■■11	600	900	100	PE cabinet
702260■■11	600	1000	100	PE cabinet
702286■■11	800	600	100	PE cabinet
702288■■11	800	800	100	PE cabinet

Drawer

Parameter

- Used for 19 inch network cabinet and rack.
- Static load capacity:35kg
- Sliding shelf could elongate to 450MM
- material: SPCC cold rolled steel
- Color:70■■■■■0■■■:RAL7035
70■■■■■1■■■:RAL9004



Main part:

Model No.	Description
702302■■00	2U-18" DP
702303■■00	3U-18" DP



CABINETS FITTING ACCESSORIES

Earthing Kit



Parameter

- ROHS complied
- 14 AWG, 300MM length

Main part:

Model No.	Packs of
701603000	2

Earthing Kit



Parameter

- ROHS complied
- 14 AWG, 300MM length

Main part:

Model No.	Packs of
701603001	2

Castor



Parameter

- Static load capacity: 250kg
- Color: black/ Zinc-plated

Main part:

Model No.	Type of Wheel	Packs of
700802000	2.0 INCH	4
700825000	2.5 INCH	4
700803000	3.0 INCH	4

Castor With Braking



Parameter

- Static load capacity: 250kg
- Color: black/ Zinc-plated

Main part:

Model No.	Type of Wheel	Packs of
700802001	2.0 INCH	4
700825001	2.5 INCH	4
700803001	3.0 INCH	4



CABINETS FITTING LOCK

Lock With Comfort Handle

Parameter

- Used for SHIP cabinet door
- Thickness of lock:30MM
- Hole size:126X24.5MM
- Color: BLACK

Main part:

Model No.	Packs of
701102020	3



Small Lock

Parameter

- Used for SHIP cabinet door
- Thickness of lock:20MM
- Hole size:Φ19X16.5MM

Main part:

Model No.	Packs of
701101020	50



M12 Adjustable Feet

Parameter

- Static load capacity: 250kg
- Color: black/ Zinc-plated

Main part:

Model No.	Height MM	Packs of
700712000	100	4



● GLOBAL MARKET



For more information
please visit us at:
www.zion-communication.com



■ China - Head office

EMAIL: info@zion-communication.com
TEL: +86 571 63804414
FAX: +86 571 63804424
ADD: NO.68, HuaQiao Road, JinCheng Street, LinAn,
ZheJiang, China 311300